

PIT DRAINER FOR WASTE OIL

removable splashguard



adjustable carriage



P/N OE42059

Pit waste oil drainer, 65 litres equipped with: ► quick-release connector

No.1 packing m³ 0,140 kg 27,3

CONSULT THE OVERALL DIMENSIONS ON THIS PAGE AT THE BOTTOM RIGHT

P/N OE42060

Pit waste oil drainer, 65 litres equipped with: ► hose-holder ø 30

No.1 packing m³ 0,140 kg 28

CONSULT THE OVERALL DIMENSIONS ON THIS PAGE AT THE BOTTOM RIGHT

P/N OE42061

Pit waste oil drainer, 110 litres equipped with: ► quick-release connector

No.1 packing m³ 0,270 kg 54

CONSULT THE OVERALL DIMENSIONS ON THIS PAGE AT THE BOTTOM RIGHT

P/N OE42062

Pit waste oil drainer, 110 litres equipped with: ► hose-holder ø 30

No.1 packing m³ 0,220 kg 40

CONSULT THE OVERALL DIMENSIONS ON THIS PAGE AT THE BOTTOM RIGHT

P/N OE42055

Pit waste oil drainer, 150 litres equipped with: ► quick-release connector

No.1 packing m³ 0,270 kg 53,5

CONSULT THE OVERALL DIMENSIONS ON THIS PAGE AT THE BOTTOM RIGHT

P/N OE42056

Pit waste oil drainer, 150 litres equipped with: ► hose-holder ø 30

No.1 packing m³ 0,270 kg 54

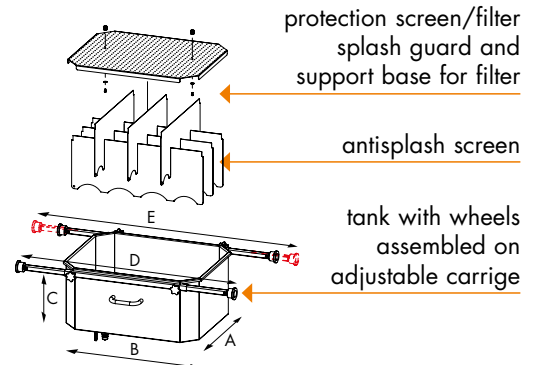
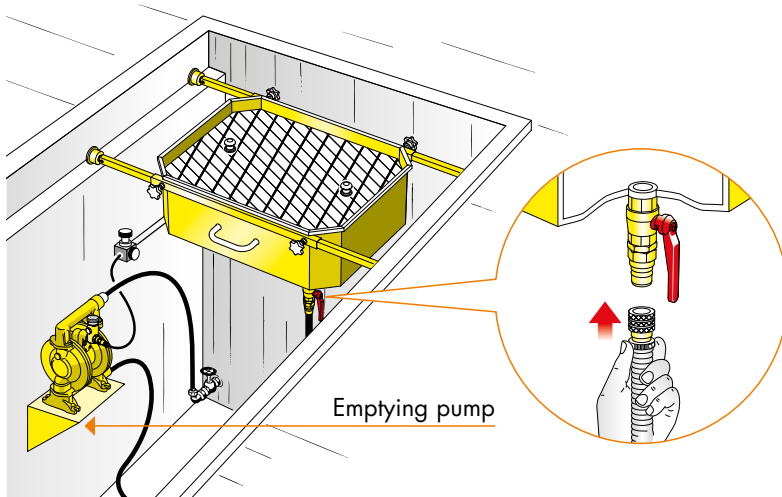
CONSULT THE OVERALL DIMENSIONS ON THIS PAGE AT THE BOTTOM RIGHT

⚠ The above items must not be used with flammable or corrosive fluids

P/N		OE42059	OE42060	OE42061	OE42062	OE42055	OE42056
Tank capacity	litres	65	65	110	110	150	150
Wheels		adjustable carriage	adjustable carriage	adjustable carriage	adjustable carriage	adjustable carriage	adjustable carriage
Emptying		by suction	by gravity	by suction	by gravity	by suction	by gravity
Equipped with		quick-release connector	hose-holder ø 30	quick-release connector	hose-holder ø 30	quick-release connector	hose-holder ø 30

Pouring from the drainer to the tank.

The drained oil can be transferred from the collection bowl to the storage tank by gravity or by using an emptying pump connected to the fixed system



P/N	A	B	C	D	E
OE42059	51	66	22	75	120
OE42060	51	66	22	75	120
OE42061	63,5	79	26,4	84	125
OE42062	63,5	79	26,4	84	125
OE42055	63,5	79	35,7	84	125
OE42056	63,5	79	35,7	84	125